

Innova

Installation instructions



Thank you for choosing Innova

> GETTING STARTED

Before installing the Innova doorset please ensure you have carried out the recommendations in the Wall Construction Preparation booklet. Familiarise yourself with these instructions fully before starting to install the doorset.

Your delivery will include one or both of the boxes below depending on your order. Ensure you have everything you need prior to installation - sizes should be checked on the frame box as shown below.



> Check sizes



> Door frame



> Door leaf

What is included with Innova

> DOORSET AND PIVOT



> Hinge jamb



> Strike jamb



> Head jamb with pivot fitted



> Strike plate and insert



> Pivot fittings



> Door

Correct storage of doors

> IMPORTANT INFORMATION

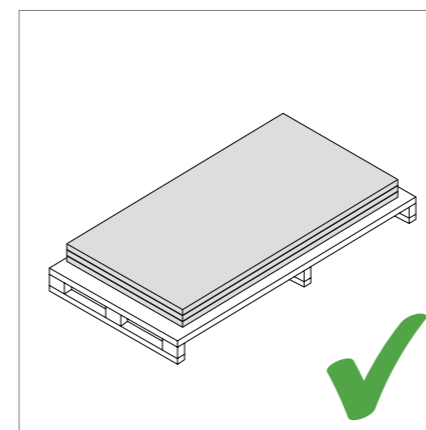
It is important that timber doors are stored in the correct manner prior to installation. Let solid wood doors acclimatise at normal room temperature for several days prior to installation.

They must be protected from exposure to excessive moisture and stored horizontally on a level surface on 3 or more equally spaced bearers, away from ground floor level. It is also recommended that any wrappings be left in place for as long as possible.

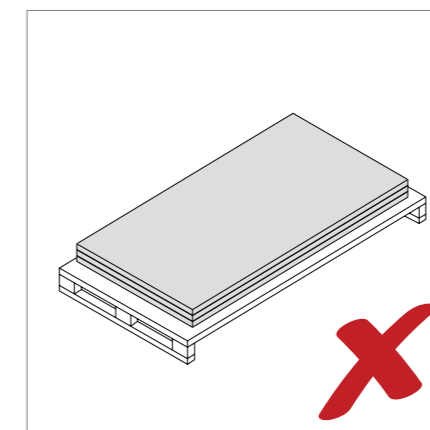
Do not lean doors on their edge up against a wall. This will almost certainly cause them to warp and distort.

Fire door leaves and doorsets are internal joinery components. As such, their handling and storage prior to installation should ensure that they are protected from rain, sun, and splashing by corrosive or staining materials - preferably in a ventilated building.

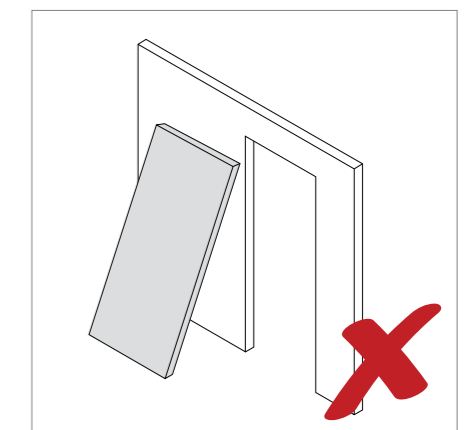
Door leaves and doorsets that are clear lacquered or varnished should be subject to storage that protects them from being unevenly exposed to sunlight.



> Laid flat with load spread evenly



> Laid flat with load spread too wide



> Leant against wall

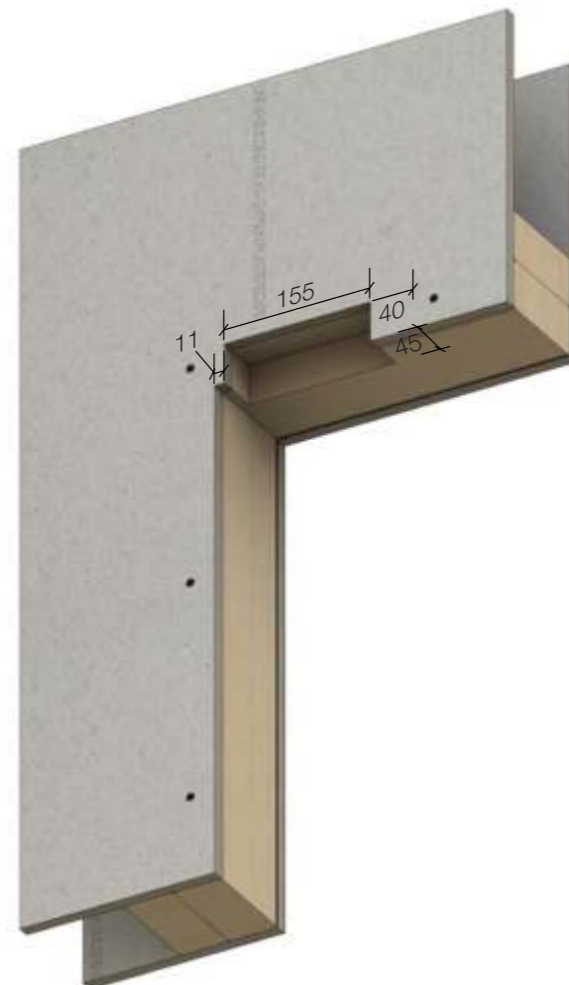
Innova installation: Step-by-step

> STEP 1 Check opening

Ensure that the opening is square and level and the opening dimensions are correct. (Opening dimensions are obtained from the EZY-Jamb door schedule provided for your project and also listed as S/O width and height on the individual frame boxes.)

Notch head stud to accommodate pivot hinge

Notch the head stud to the dimensions shown to accommodate the top pivot. It is important to start the notch 11mm away from the adjacent hinge stud. Details for this are also shown in the wall construction preparation pack.



> STEP 2 Hinge jamb

Install the hinge jamb first. The frame is inserted over the wall as shown. Make sure it is hard up against the timber stud and, when plumb and straight, fix through both perforated side flanges with 4 drywall screws (at least 50mm long) evenly spaced along the length of the jamb through the perforated flange.

Important

Before installation is complete, further screws will be required. This is covered in Step 10. Do not completely secure frame yet.



> STEP 3 Head jamb installation

Install the head jamb. Locate the end of the head into the rebate on the frame and fix through the perforated side flanges as before.

Important

The corner junction should look as shown.



> STEP 4 Strike jamb installation

Install the strike jamb by locating it into the head and fixing into place. Ensure that the spacing between the two vertical frame sides is equal and the jambs are square.



> **STEP 5** Preparing the pivot

Once all the jambs are fitted, double check that it is square level and plumb.



Unwind the hex head screw as far as it will go (anticlockwise) to allow the top pivot to retract flush into the head.



> **STEP 6** Pivot plate

Fit the bottom pivot base plate to the floor by using a plum line or laser level to ensure it lines up exactly to the top centre pin.



Calculate the pivot socket centres by measuring the distance from the pivot centres to the edge of the frame, minus 3mm for the door gap. Fit the pivot sockets to the door.



> **STEP 7** Hang door

With assistance lift the door up on its end and locate the bottom socket over the floor pivot pin as shown.

Install the door to ensure it swings correctly and smoothly. If the doors have not been supplied with the frames then a dummy door can be provided on request.



> **STEP 8** Fix into place

Swing the top of the door into an upright position to locate the top pivot into the pivot socket in the top of the door. Standing on a hop-up or steps will make it easier to sight the pivot in. Once located, tighten the hex bolt with the Allen key provided to lock the pivot securely into position.



> **STEP 9** Check fitment

Swing the door to its open and then closed position to ensure that everything is working correctly.

Check that the gaps around the sides are 2.5-3mm, make adjustments to the frame if required. If the doors have not been provided with the frames, a dummy door can be provided.

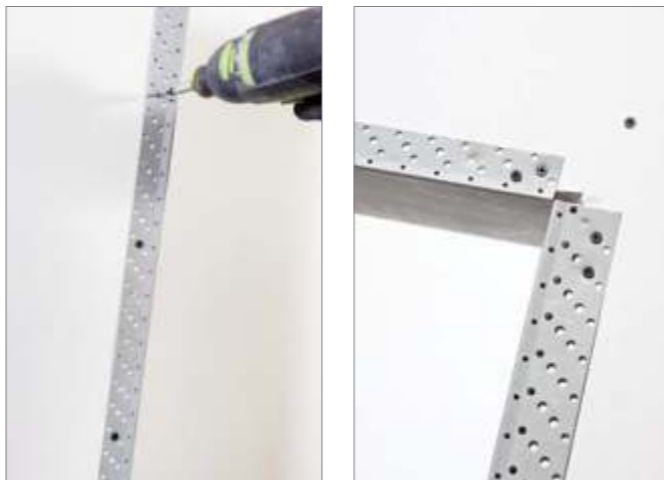


> **STEP 10** Fix every 200mm

Check that all the perforated side flanges sit flat against the plasterboard and screw at 200mm centres all around the frame through the perforated holes into the studwork.

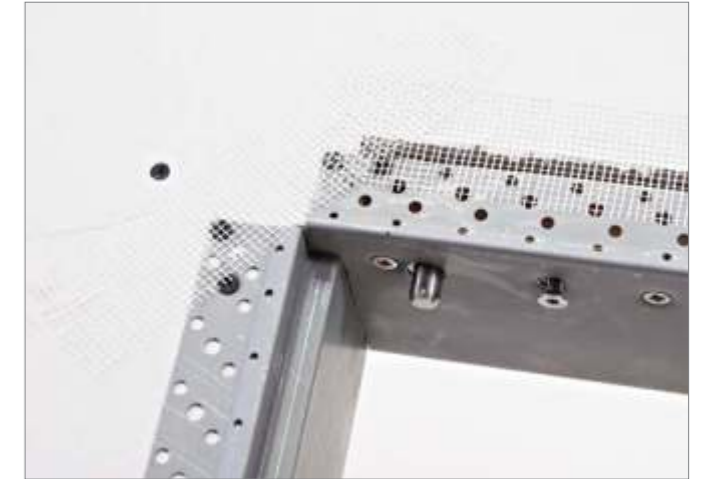
Double screw all ends and corners as shown.

Now that the swing and the frame alignment are correct, the door can be removed and put aside until the plastering and decorating are complete.



> **STEP 11** Plaster tape

Apply plaster fibre tape to the top corners at 45 degrees and across the head over the pivot cut out.



> **STEP 13** Plastering / Decoration

Finish up to the stop bead with multi-finish plaster skim or tape and jointing compound. This conceals the frame and all fixings.

Once the plaster/jointing compound has dried, the wall and frame can be painted. The frame will need a metal primer applied (if supplied unfinished) and can then be painted as required.



> **STEP 14** Hang door

The door can then be re-hung. If the door is fire rated then the intumescent strip will need to be fitted to the grooves in the door edges.



> **STEP 15** Fitting the latch

Fit the latch or lock to the door. Fitting of the latch plate is straight forward as it is surface mounted over the frame via 2 PH2 self-drilling screws.

Important

Keep the drill torque low to avoid turning the screws out of the frame.



Congratulations - you've now completed the installation of your EZY-Jamb Innova doorset!



Innova additions

> **SELF CLOSERS**

If the doorset is required to be self closing then a floor spring pivot set is used. The bottom pin and socket are replaced with the floor spring box and bottom strap, which are installed in the usual sequence.

Full installation instructions are available within the self closer packs - for more information speak to our advisors today:

0113 245 9559



> Floor spring



> Standard cover plate



> Floor spring cover tray

Multi purpose saw

> MULTI-TOOL

The recommended tool for cutting in the notches is the multi purpose saw. This can be hired or purchased from Linear.

Purchase

£185.00 + VAT

Includes the Bosch multi-tool and x2 blades.

Hire

First week **£50.00** + VAT

Includes delivery and collection plus x1 blade.

£15.00 + VAT per week thereafter.

Additional blades

£14.00 + VAT

x1 standard multi purpose blade for timber and metal.

For more information speak to our advisors today:

0113 245 9559



> Bosch multi-tool



For help and advice on any of our products call our support team on:

0113 245 9559



Architectural Hardware



Door Solutions



Access Solutions



Wathroom Solutions

Leeds Office

Forge House
42-44 Burley Road
Leeds
LS3 1JX
T: 0113 245 9559
F: 0113 245 9779

Ashford Office

Ground Floor, Unit 4
Highpoint Business
Village, Ashford
TN24 8DH
T: 0123 364 7788
F: 0123 365 5244

London Office

Hamilton House
Mabledon Place
Off Euston Road
London, WC1H 9BB
T: 0207 099 8299
F: 0207 099 9351

Sheffield Office

Suite 168
49 Eldon Street
Sheffield
S1 4NR
T: 0114 345 0235
F: 0114 345 0236

